



Elaire Corporation

2011 Product Catalog

The Elaire Corporation Contact Information

Phone: 419-843-2192

Fax: 419-843-8536

Shipping and Mailing Address

The Elaire Corporation

7944 West Central Ave.

Suite 10

Toledo, OH 43617 - USA

Email: sales@elairecorp.com

Web: www.elairecorp.com

The Elaire Corporation Guarantee

All parts are guaranteed to function and perform for their intended use. Products are guaranteed to be free from manufacturer defects. If parts are found to be defective resulting from workmanship issues, Elaire Corporation will replace the parts at no additional cost.

Return Policy

- Shipping charges will not be reimbursed unless the return was due to an error on our part.
- No products may be returned after 60 days
- If the product was damaged in transit to you REFUSE IT and call us.
- Refunds will not be issue if the items are returned in less than new condition. All returned items will be subjected to inspection to verify the defect.
- If a product is returned after 30 days a 15% restocking fee will be charged.
- Shipping charges will not be reimbursed unless the return was due to an error on our part.

We suggest that you use a shipping service that provides tracking. We are not responsible for returns that do not arrive back.

Table of Contents

The Elaire Corporation Contact Information.....	2
The Elaire Corporation Guarantee.....	3
Return Policy.....	3
Atlas Copco Style Collets.....	5
Desoutter Style 9/32-40 Drill Collets.....	7
Double Angle 100 Series Collets.....	9
100 Series DA Collets Imperial Sizes	9
100 Series DA Collets Metric Sizes	10
Double Angle 180 Series Collets.....	11
180 Series DA Collets Imperial	11
180 Series DA Collets Metric	12
Double Angle 200 Series Collets.....	13
200 Series DA Imperial Sizes.....	13
200 Series DA Metric Sizes	13
Double Angle 300 Series Collets.....	14
300 Series DA Imperial Sizes.....	14
300 Series DA Imperial Sizes	14
Universal Style Type OW Collets.....	15
Type OW Double Taper Collets Imperial	15
Type OW Double Taper Collets Metric	15
Universal Style Type WW Collets.....	16
Type WW Double Taper Collets Imperial	16
Type WW Double Taper Collets Metric.....	16
Universal Style Type Y Collets.....	17
Type Y Double Taper Collets Imperial	17
Type Y Double Taper Collets Metric	18
Universal Style Type Z Collets.....	19
Type Z Double Taper Collets Imperial	19
Type Z Double Taper Collets Metric	20
Universal Style Type ZZ Collets.....	21
Type ZZ Double Taper Collets.....	21
Imperial Sizes.....	21
Type ZZ Double Taper Collets.....	22
Metric Sizes.....	22
Air Tool Caps and Nose pieces.....	23
300 Series DA Collet Nose piece & Cap.....	23
200 Series DA Collet Cap.....	23
Obsolete, Custom and other Types of Collets.....	24

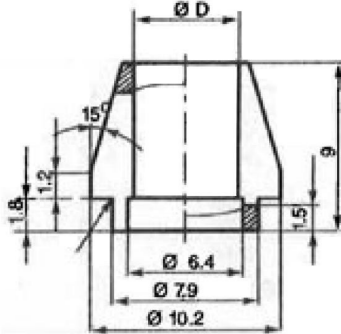
Atlas Copco Style Collets



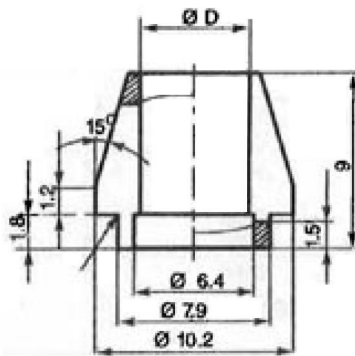
Elaire Corporation Collets are 100% compatible with Atlas Copco and Desoutter drill collets.

Atlas Copco Drills that use these collets include:

LBV25 (-91) and LBV36 (-91)



Elaire Part #	Hole	Desoutter / CP	Atlas Copco
CAH-0312	1/32		
CAH-0315	0.8		
CAH-0354	0.9		
CAH-0394	1.0		
CAH-0400	60		
CAH-0410	59		
CAH-0420	58		
CAH-0430	57		
CAH-0433	1.1		
CAH-0465	56		
CAH-0469	3/64		
CAH-0472	1.2		
CAH-0512	1.3		
CAH-0520	55		
CAH-0550	54		
CAH-0551	1.4		
CAH-0591	1.5		
CAH-0595	53		
CAH-0625	1/16		
CAH-0630	1.6	18922	4110141101
CAH-0635	52		
CAH-0669	1.7		
CAH-0670	51		
CAH-0700	50		
CAH-0709	1.8	18932	4110141102
CAH-0730	49		
CAH-0748	1.9		
CAH-0760	48		
CAH-0781	5/64		
CAH-0785	47		
CAH-0787	2.0	18942	4110141103
CAH-0810	46		
CAH-0820	45		
CAH-0827	2.1		
CAH-0860	44		
CAH-0866	2.2	18952	4110141104
CAH-0890	43		
CAH-0906	2.3		
CAH-0935	42		
CAH-0938	3/32		4110043820
CAH-0945	2.4 (3/32")	18962	4110141105
CAH-0960	41		
CAH-0980	40		
CAH-0984	2.5		
CAH-0995	39		
CAH-1015	38		



Elaire Part #	Hole	Desoutter / CP	Atlas Copco
CAH-1024	2.6	18972	4110141106
CAH-1040	37		
CAH-1063	2.7		
CAH-1065	36		
CAH-1094	7/64		
CAH-1102	2.8	18982	4110141107
CAH-1142	2.9		
CAH-1181	3.0	18992	4110141108
CAH-1220	3.1		
CAH-1250	1/8		
CAH-1260	3.2 (1/8")	19002	4110141109
CAH-1299	3.3		
CAH-1339	3.4	19022	4110141110
CAH-1378	3.5		
CAH-1406	9/64		
CAH-1417	3.6	19032	4110141111
CAH-1457	3.7		
CAH-1470	26		
CAH-1496	3.8	19042	4110141112
CAH-1520	24		
CAH-1535	3.9		
CAH-1562	5/32		
CAH-1575	4.0 (5/32")	19052	4110141113
CAH-1590	21		
CAH-1614	4.1		
CAH-1654	4.2	19062	4110141114
CAH-1660	19		
CAH-1693	4.3		
CAH-1719	11/64		
CAH-1732	4.4	19072	4110141115
CAH-1772	4.5		
CAH-1800	15		
CAH-1811	4.6	19082	4110141116
CAH1820	14		
CAH-1850	4.7		
CAH-1875	3/16		
CAH-1890	4.8 (3/16")	19092	4110141117
CAH-1910	11		
CAH-1929	4.9		
CAH-1935	10		
CAH-1960	9		
CAH-1969	5.0	19102	4110141118
CAH-2047	5.2	19122	4110141119
CAH-2126	5.4	19132	4110141120
CAH-2205	5.6	19142	4110141121
CAH-2283	5.8	19152	4110141122
CAH-2362	6.0	19162	4110141123
CAH-2441	6.2	19172	4110141124
CAH-2520	6.4 (1/4")	19182	4110141125
CAH-2598	6.6		4110141126

Desoutter Style 9/32-40 Drill Collets



Elaire Corporation Collets are 100% compatible with Atlas Copco and Desoutter drill collets.

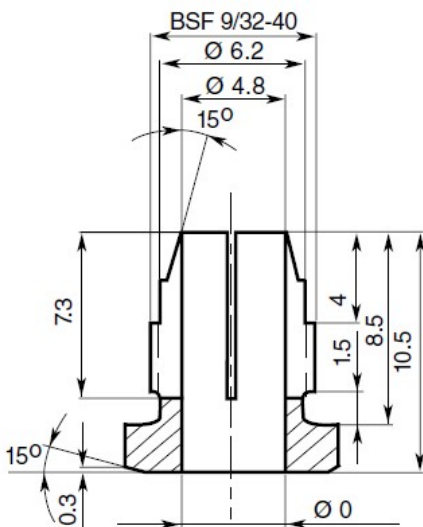
Desoutter Drills that use these collets include:

D375, D370, D331, D321, D33, D32

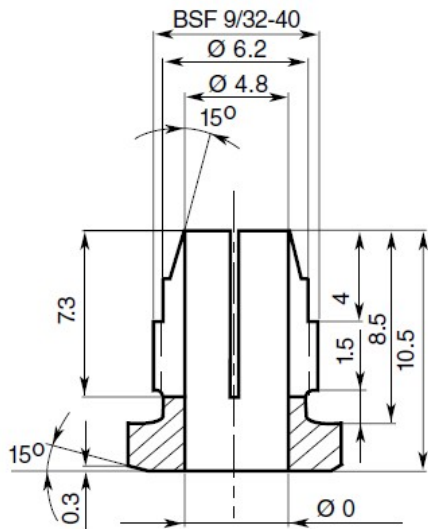
Atlas Copco Drills: LBV11,

LBV25 S032 - (-30, -90, -90Z)

and LBV36 (-30, -90)



Elaire Part #	Hole Size	Desoutter	Atlas Copco
DST-0312	1/32	2152	
DST-0315	0.8		
DST-0354	0.9		
DST-0394	1.0	2172	4110043801
DST-0400	60		
DST-0410	59		
DST-0420	58		
DST-0430	57		
DST-0433	1.1	2182	
DST-0465	56		
DST-0469	3/64	2192	
DST-0472	1.2		
DST-0512	1.3	2202	
DST-0520	55		
DST-0550	54		
DST-0551	1.4	2212	
DST-0591	1.5	2222	4110043802
DST-0595	53		
DST-0625	1/16	2232	4110043819
DST-0630	1.6		
DST-0635	52		
DST-0669	1.7	2242	
DST-0670	51		
DST-0700	50		
DST-0709	1.8	2252	41100438828
DST-0730	49		
DST-0748	1.9	2262	
DST-0760	48		
DST-0781	5/64	2272	
DST-0785	47		
DST-0787	2.0		4110043803
DST-0810	46		
DST-0820	45		
DST-0827	2.1	2282	4110043829
DST-0860	44		
DST-0866	2.2	2292	4110043804
DST-0890	43		
DST-0906	2.3	2302	4110043830
DST-0935	42		
DST-0938	3/32	2312	4110043820
DST-0945	2.4		4110043805
DST-0960	41		
DST-0980	40		
DST-0984	2.5	2322	4110043806
DST-0995	39		
DST-1015	38		



Elaire Part #	Hole Size	Desoutter	Atlas Copco
DST-1024	2.6	2332	4110043807
DST-1040	37		
DST-1063	2.7	2342	4110043831
DST-1065	36		
DST-1094	7/64	2352	
DST-1102	2.8		4110043832
DST-1142	2.9	2362	4110043808
DST-1181	3.0	2372	4110043809
DST-1220	3.1	2382	4110043810
DST-1250	1/8	2392	4110043821
DST-1260	3.2		4110043811
DST-1299	3.3	2402	4110043812
DST-1339	3.4	2412	4110043833
DST-1378	3.5	2422	4110043813
DST-1406	9/64	2432	
DST-1417	3.6		4110043824
DST-1457	3.7	2442	4110043834
DST-1470	26		
DST-1496	3.8	2452	4110043814
DST-1520	24		
DST-1535	3.9	2462	4110043835
DST-1562	5/32	2472	4110043822
DST-1575	4.0		4110043815
DST-1590	21		
DST-1614	4.1	2482	4110043825
DST-1654	4.2	2492	4110043826
DST-1660	19		
DST-1693	4.3	2502	4110043836
DST-1719	11/64	2512	
DST-1732	4.4		4110043837
DST-1772	4.5	2522	4110043816
DST-1800	15		
DST-1811	4.6	2532	4110043838
DST-1820	14		
DST-1850	4.7	2542	4110043839
DST-1875	3/16	2552	4110043823
DST-1890	4.8		4110043818
DST-1910	11		
DST-1929	4.9		4110043840
DST-1935	10		
DST-1960	9		
DST-1969	5.0		4110043827

Double Angle 100 Series Collets



Elaire Corporation Collets are
100% compatible with all DA100
Series collets.

All parts are made in the USA

100 Series DA Collets Imperial Sizes

Elaire Part#	Fractional Hole Size	Decimal Inches
DA100-0625	1/16	0.0625
DA100-0781	5/64	0.0781
DA100-0938	3/32	0.0938
DA100-1094	7/64	0.1094
DA100-1250	1/8	0.1250
DA100-1406	9/64	0.1406
DA100-1563	5/32	0.1563
DA100-1719	11/64	0.1719
DA100-1875	3/16	0.1875
DA100-2031	13/64	0.2031
DA100-2188	7/32	0.2188
DA100-2344	15/64	0.2344
DA100-2500	1/4	0.2500
DA100-2656	17/64	0.2656
DA100-2813	9/32	0.2813
DA100-2969	19/64	0.2969
DA100-3125	5/16	0.3125
DA100-3281	21/64	0.3281
DA100-3438	11/32	0.3438
DA100-3594	23/64	0.3594
DA100-3750	3/8	0.3750
DA100-3906	25/64	0.3906
DA100-4062	13/32	0.4063
DA100-4219	27/64	0.4219
DA100-4375	7/16	0.4375
DA100-4531	29/64	0.4531
DA100-4688	15/32	0.4688
DA100-4844	31/64	0.4844
DA100-5000	1/2	0.5000
DA100-5156	33/64	0.5156
DA100-5313	17/32	0.5313
DA100-5469	35/64	0.5469
DA100-5625	9/16	0.5625



100 Series DA Collets Metric Sizes

Elaire Corporation Collets are
100% compatible with all DA100
Series collets.

All parts are made in the USA

Elaire Part#	Metric Hole Size (mm)
DA100-0985	2.5
DA100-1181	3.0
DA100-1378	3.5
DA100-1575	4.0
DA100-1772	4.5
DA100-1969	5.0
DA100-2165	5.5
DA100-2362	6.0
DA100-2559	6.5
DA100-2756	7.0
DA100-2953	7.5
DA100-3150	8.0
DA100-3346	8.5
DA100-3543	9.0
DA100-3740	9.5
DA100-3937	10.0
DA100-4134	10.5
DA100-4331	11.0
DA100-4528	11.5
DA100-4724	12.0
DA100-4921	12.5
DA100-5118	13.0
DA100-5315	13.5
DA100-5512	14.0

Double Angle 180 Series Collets



Elaire Corporation Collets are
100% compatible with all DA180
Series collets.

All parts are made in the USA

180 Series DA Collets Imperial

Elaire Part#	Hole Size	Inch
DA180-0625	1/16	0.0625
DA180-0781	5/64	0.0781
DA180-0938	3/32	0.0938
DA180-1094	7/64	0.1094
DA180-1250	1/8	0.1250
DA180-1406	9/64	0.1406
DA180-1563	5/32	0.1563
DA180-1719	11/64	0.1719
DA180-1875	3/16	0.1875
DA180-2031	13/64	0.2031
DA180-2188	7/32	0.2188
DA180-2344	15/64	0.2344
DA180-2500	1/4	0.2500
DA180-2656	17/64	0.2656
DA180-2813	9/32	0.2813
DA180-2969	19/64	0.2969
DA180-3125	5/16	0.3125
DA180-3281	21/64	0.3281
DA180-3438	11/32	0.3438
DA180-3594	23/64	0.3594
DA180-3750	3/8	0.3750
DA180-3906	25/64	0.3906
DA180-4062	13/32	0.4063
DA180-4219	27/64	0.4219
DA180-4375	7/16	0.4375
DA180-4531	29/64	0.4531
DA180-4688	15/32	0.4688
DA180-4844	31/64	0.4844
DA180-5000	1/2	0.5000
DA180-5156	33/64	0.5156
DA180-5313	17/32	0.5313
DA180-5469	35/64	0.5469
DA180-5625	9/16	0.5625
DA180-5781	37/64	0.5781
DA180-5938	19/64	0.5938
DA180-6094	39/64	0.6094
DA180-6250	5/8	0.6250
DA180-6406	41/64	0.6406
DA180-6563	21/32	0.6563
DA180-6719	43/64	0.6719
DA180-6875	11/16	0.6875
DA180-7031	45/64	0.7031
DA180-7188	23/32	0.7188
DA180-7344	47/64	0.7344
DA180-7500	3/4	0.7500



180 Series DA Collets Metric

Elaire Corporation Collets are
100% compatible with all DA180
Series collets.

All parts are made in the USA

Elaire Part#	Hole Size
DA180-0985	2.5
DA180-1181	3.0
DA180-1378	3.5
DA180-1575	4.0
DA180-1772	4.5
DA180-1969	5.0
DA180-2165	5.5
DA180-2362	6.0
DA180-2559	6.5
DA180-2756	7.0
DA180-2953	7.5
DA180-3150	8.0
DA180-3346	8.5
DA180-3543	9.0
DA180-3740	9.5
DA180-3937	10.0
DA180-4134	10.5
DA180-4331	11.0
DA180-4528	11.5
DA180-4724	12.0
DA180-4921	12.5
DA180-5118	13.0
DA180-5315	13.5
DA180-5512	14.0
DA180-5709	14.5
DA180-5906	15.0
DA180-6102	15.5
DA180-6299	16.0
DA180-6496	16.5
DA180-6693	17.0
DA180-6890	17.5
DA180-7087	18.0
DA180-7283	18.5
DA180-7480	19.0
DA180-7677	19.5
DA180-7874	20.0

Double Angle 200 Series Collets



Elaire Corporation Collets are
100% compatible with all DA180
Series collets.

All parts are made in the USA

200 Series DA Imperial Sizes

Elaire Part#	Hole Size	Inch
DA200-0625	1/16	0.0625
DA200-0781	5/64	0.0781
DA200-0938	3/32	0.0938
DA200-1094	7/64	0.1094
DA200-1250	1/8	0.1250
DA200-1406	9/64	0.1406
DA200-1563	5/32	0.1563
DA200-1719	11/64	0.1719
DA200-1875	3/16	0.1875
DA200-2031	13/64	0.2031
DA200-2188	7/32	0.2188
DA200-2344	15/64	0.2344
DA200-2500	1/4	0.2500
DA200-2656	17/64	0.2656
DA200-2813	9/32	0.2813
DA200-2969	19/64	0.2969
DA200-3125	5/16	0.3125
DA200-3281	21/64	0.3281
DA200-3438	11/32	0.3438
DA200-3594	23/64	0.3594
DA200-3750	3/8	0.3750

200 Series DA Metric Sizes

Elaire Part#	Hole Size (mm)
DA200-0985	2.5
DA200-1181	3.0
DA200-1378	3.5
DA200-1575	4.0
DA200-1772	4.5
DA200-1969	5.0
DA200-2165	5.5
DA200-2362	6.0
DA200-2559	6.5
DA200-2756	7.0
DA200-2953	7.5
DA200-3150	8.0
DA200-3346	8.5
DA200-3543	9.0
DA200-3740	9.5
DA200-3937	10.0

Double Angle 300 Series Collets



Elaire Corporation Collets are
100% compatible with all DA180
Series collets.

All parts are made in the USA

300 Series DA Imperial Sizes

Elaire Part#	Hole Size	Inch
DA300-0312	1/32	0.0938
DA300-0625	1/16	0.0625
DA300-0781	5/64	0.0781
DA300-0938	3/32	0.0938
DA300-1094	7/64	0.1094
DA300-1250	1/8	0.1250
DA300-1406	9/64	0.1406
DA300-1563	5/32	0.1563
DA300-1719	11/64	0.1719
DA300-1875	3/16	0.1875
DA300-2031	13/64	0.2031
DA300-2188	7/32	0.2188
DA300-2344	15/64	0.2344
DA300-2500	1/4	0.2500

300 Series DA Imperial Sizes

Elaire Part#	Hole Size
DA300-0985	2.5
DA300-1181	3.0
DA300-1378	3.5
DA300-1575	4.0
DA300-1772	4.5
DA300-1969	5.0
DA300-2165	5.5
DA300-2362	6.0

Universal Style Type OW Collets



Type OW Double Taper Collets Imperial

Elaire Corporation Collets are
100% compatible with all Type OW
Double Taper Series collets.

All parts are made in the USA

Elaire Part#	Inch	Hole Size	Universal TSD #
TSO-0938	0.0938	1/32	55021-00938
TSO-0625	0.0625	1/16	55021-00625
TSO-0781	0.0781	5/64	55021-00781
TSO-0938	0.0938	3/32	55021-00938
TSO-1094	0.1094	7/64	55021-01904
TSO-1250	0.1250	1/8	55021-01250
TSO-1406	0.1406	9/64	55021-01406
TSO-1563	0.1563	5/32	55021-01563
TSO-1719	0.1719	11/64	55021-01719
TSO-1875	0.1875	3/16	55021-01875
TSO-2031	0.2031	13/64	55021-02031
TSO-2188	0.2188	7/32	55021-02188
TSO-2344	0.2344	15/64	55021-02344
TSO-2500	0.2500	1/4	55021-02500

Type OW Double Taper Collets Metric

Elaire Part#	Hole Size (mm)	Universal TSD#
TSO-0985	2.5	55021-00985
TSO-1181	3.0	55021-01181
TSO-1378	3.5	55021-01378
TSO-1575	4.0	55021-01575
TSO-1772	4.5	55021-01772
TSO-1969	5.0	55021-01969
TSO-2165	5.5	55021-02165
TSO-2362	6.0	55021-02362

Universal Style Type WW Collets



Elaire Corporation Collets are
100% compatible with all Type WW
Double Taper Series collets.

All parts are made in the USA

Type WW Double Taper Collets Imperial

Elaire Part#	Inch	Hole Size	Universal TSD #
TSW-0625	0.0625	1/16	55060-00625
TSW-0781	0.0781	5/64	55060-00781
TSW-0938	0.0938	3/32	55060-00938
TSW-1094	0.1094	7/64	55060-01904
TSW-1250	0.1250	1/8	55060-01250
TSW-1406	0.1406	9/64	55060-01406
TSW-1563	0.1563	5/32	55060-01563
TSW-1719	0.1719	11/64	55060-01719
TSW-1875	0.1875	3/16	55060-01875
TSW-2031	0.2031	13/64	55060-02031
TSW-2188	0.2188	7/32	55060-02188
TSW-2344	0.2344	15/64	55060-02344
TSW-2500	0.2500	1/4	55060-02500
TSW-2656	0.2656	17/64	55060-02656
TSW-2813	0.2813	9/32	55060-02813
TSW-2969	0.2969	19/64	55060-02969
TSW-3125	0.3125	5/16	55060-03125
TSW-3281	0.3281	21/64	55060-03281
TSW-3438	0.3438	11/32	55060-03438
TSW-3594	0.3594	23/64	55060-03594
TSW-3750	0.3750	3/8	55060-03750

Type WW Double Taper Collets Metric

Elaire Part#	Hole Size (mm)	Universal TSD #
TSW-0985	2.5	55060-00985
TSW-1181	3.0	55060-01181
TSW-1378	3.5	55060-01378
TSW-1575	4.0	55060-01575
TSW-1772	4.5	55060-01772
TSW-1969	5.0	55060-01969
TSW-2165	5.5	55060-02165
TSW-2362	6.0	55060-02362
TSW-2559	6.5	55060-02559
TSW-2756	7.0	55060-02756
TSW-2953	7.5	55060-02953
TSW-3150	8.0	55060-03150
TSW-3346	8.5	55060-03346
TSW-3543	9.0	55060-03543
TSW-3740	9.5	55060-03740
TSW-3937	10.0	55060-03937

Universal Style Type Y Collets



Elaire Corporation Collets are
100% compatible with all Type Y
Double Taper Series collets.

All parts are made in the USA

Type Y Double Taper Collets Imperial

Elaire Part#	Inch	Hole Size	Universal TSD #
TSY-0625	0.0625	1/16	55097-00625
TSY-0781	0.0781	5/64	55097-00781
TSY-0938	0.0938	3/32	55097-00938
TSY-1094	0.1094	7/64	55097-01904
TSY-1250	0.1250	1/8	55097-01250
TSY-1406	0.1406	9/64	55097-01406
TSY-1563	0.1563	5/32	55097-01563
TSY-1719	0.1719	11/64	55097-01719
TSY-1875	0.1875	3/16	55097-01875
TSY-2031	0.2031	13/64	55097-02031
TSY-2188	0.2188	7/32	55097-02188
TSY-2344	0.2344	15/64	55097-02344
TSY-2500	0.2500	1/4	55097-02500
TSY-2656	0.2656	17/64	55097-02656
TSY-2813	0.2813	9/32	55097-02813
TSY-2969	0.2969	19/64	55097-02969
TSY-3125	0.3125	5/16	55097-03125
TSY-3281	0.3281	21/64	55097-03281
TSY-3438	0.3438	11/32	55097-03438
TSY-3594	0.3594	23/64	55097-03594
TSY-3750	0.3750	3/8	55097-03750
TSY-3906	0.3906	25/64	55097-03906
TSY-4062	0.4063	13/32	55097-04062
TSY-4219	0.4219	27/64	55097-04219
TSY-4375	0.4375	7/16	55097-04375
TSY-4531	0.4531	29/64	55097-04531
TSY-4688	0.4688	15/32	55097-04688
TSY-4844	0.4844	31/64	55097-04844
TSY-5000	0.5000	1/2	55097-05000



**Elaire Corporation Collets are
100% compatible with all Type Y
Double Taper Series collets.**

All parts are made in the USA

Type Y Double Taper Collets Metric

Elaire Part#	Hole Size (mm)	Universal TSD #
TSY-0985	2.5	55097-00985
TSY-1181	3.0	55097-01181
TSY-1378	3.5	55097-01378
TSY-1575	4.0	55097-01575
TSY-1772	4.5	55097-01772
TSY-1969	5.0	55097-01969
TSY-2165	5.5	55097-02165
TSY-2362	6.0	55097-02362
TSY-2559	6.5	55097-02559
TSY-2756	7.0	55097-02756
TSY-2953	7.5	55097-02953
TSY-3150	8.0	55097-03150
TSY-3346	8.5	55097-03346
TSY-3543	9.0	55097-03543
TSY-3740	9.5	55097-03740
TSY-3937	10.0	55097-03937
TSY-4134	10.5	55097-04134
TSY-4331	11.0	55097-04331
TSY-4528	11.5	55097-04528
TSY-4724	12.0	55097-04724
TSY-4921	12.5	55097-04921
TSY-5118	13.0	v

Universal Style Type Z Collets



Elaire Corporation Collets are
100% compatible with all
 Type Z Double Taper Series collets.

All parts are made in the USA

Type Z Double Taper Collets Imperial

Elaire Part#	Inch	Hole Size	Universal TSD #
TSZ-1250	0.1250	1/8	55132-01250
TSZ-1406	0.1406	9/64	55132-01406
TSZ-1563	0.1563	5/32	55132-01563
TSZ-1719	0.1719	11/64	55132-01719
TSZ-1875	0.1875	3/16	55132-01875
TSZ-2031	0.2031	13/64	55132-02031
TSZ-2188	0.2188	7/32	55132-02188
TSZ-2344	0.2344	15/64	55132-02344
TSZ-2500	0.2500	1/4	55132-02500
TSZ-2656	0.2656	17/64	55132-02656
TSZ-2813	0.2813	9/32	55132-02813
TSZ-2969	0.2969	19/64	55132-02969
TSZ-3125	0.3125	5/16	55132-03125
TSZ-3281	0.3281	21/64	55132-03281
TSZ-3438	0.3438	11/32	55132-03438
TSZ-3594	0.3594	23/64	55132-03594
TSZ-3750	0.3750	3/8	55132-03750
TSZ-3906	0.3906	25/64	55132-03906
TSZ-4062	0.4063	13/32	55132-04062
TSZ-4219	0.4219	27/64	55132-04219
TSZ-4375	0.4375	7/16	55132-04375
TSZ-4531	0.4531	29/64	55132-04531
TSZ-4688	0.4688	15/32	55132-04688
TSZ-4844	0.4844	31/64	55132-04844
TSZ-5000	0.5000	1/2	55132-05000
TSZ-5156	0.5156	33/64	55132-05156
TSZ-5313	0.5313	17/32	55132-05313
TSZ-5469	0.5469	35/64	55132-05469
TSZ-5625	0.5625	9/16	55132-05625
TSZ-5781	0.5781	37/64	55132-05781
TSZ-5938	0.5938	19/64	55132-05938
TSZ-6094	0.6094	39/64	55132-06094
TSZ-6250	0.6250	5/ 8	55132-06250
TSZ-6406	0.6406	41/64	55132-06406
TSZ-6563	0.6563	21/32	55132-06563
TSZ-6719	0.6719	43/64	55132-06719
TSZ-6875	0.6875	11/16	55132-06875
TSZ-7031	0.7031	45/64	55132-07031
TSZ-7188	0.7188	23/32	55132-07188
TSZ-7344	0.7344	47/64	55132-07344
TSZ-7500	0.7500	3/ 4	55132-07500



Type Z Double Taper Collets Metric

Elaire Corporation Collets are
100% compatible with all
Type Z Double Taper Series collets.

All parts are made in the USA

Elaire Part#	Hole Size (mm)	Elaire Part#
TSZ-1181	3.0	55132-01181
TSZ-1378	3.5	55132-01378
TSZ-1575	4.0	55132-01575
TSZ-1772	4.5	55132-01772
TSZ-1969	5.0	55132-01969
TSZ-2165	5.5	55132-02165
TSZ-2362	6.0	55132-02362
TSZ-2559	6.5	55132-02559
TSZ-2756	7.0	55132-02756
TSZ-2953	7.5	55132-02953
TSZ-3150	8.0	55132-03150
TSZ-3346	8.5	55132-03346
TSZ-3543	9.0	55132-03543
TSZ-3740	9.5	55132-03740
TSZ-3937	10.0	55132-03937
TSZ-4134	10.5	55132-04134
TSZ-4331	11.0	55132-04331
TSZ-4528	11.5	55132-04528
TSZ-4724	12.0	55132-04724
TSZ-4921	12.5	55132-04921
TSZ-5118	13.0	55132-05118
TSZ-5315	13.5	55132-05315
TSZ-5512	14.0	55132-05512
TSZ-5709	14.5	55132-05709
TSZ-5906	15.0	55132-05906
TSZ-6102	15.5	55132-06102
TSZ-6299	16.0	55132-06299
TSZ-6496	16.5	55132-06496
TSZ-6693	17.0	55132-06693
TSZ-6890	17.5	55132-06890
TSZ-7087	18.0	55132-07087
TSZ-7283	18.5	55132-07283
TSZ-7480	19.0	55132-07480
TSZ-7677	19.5	55132-07677
TSZ-7874	20.0	55132-07874

Universal Style Type ZZ Collets



Elaire Corporation Collets are
100% compatible with all
Type Z Double Taper Series collets.

All parts are made in the USA

Type ZZ Double Taper Collets

Imperial Sizes

Elaire Part#	Inch	Hole Size	Universal TSD #
TZZ-2500	0.2500	1/4	55165-02500
TZZ-2656	0.2656	17/64	55165-02656
TZZ-2813	0.2813	9/32	55165-02813
TZZ-2969	0.2969	19/64	55165-02969
TZZ-3125	0.3125	5/16	55165-03125
TZZ-3281	0.3281	21/64	55165-03281
TZZ-3438	0.3438	11/32	55165-03438
TZZ-3594	0.3594	23/64	55165-03594
TZZ-3750	0.3750	3/8	55165-03750
TZZ-3906	0.3906	25/64	55165-03906
TZZ-4062	0.4063	13/32	55165-04062
TZZ-4219	0.4219	27/64	55165-04219
TZZ-4375	0.4375	7/16	55165-04375
TZZ-4531	0.4531	29/64	55165-04531
TZZ-4688	0.4688	15/32	55165-04688
TZZ-4844	0.4844	31/64	55165-04844
TZZ-5000	0.5000	1/2	55165-05000
TZZ-5156	0.5156	33/64	55165-05156
TZZ-5313	0.5313	17/32	55165-05313
TZZ-5469	0.5469	35/64	55165-05469
TZZ-5625	0.5625	9/16	55165-05625
TZZ-5781	0.5781	37/64	55165-05781
TZZ-5938	0.5938	19/64	55165-05938
TZZ-6094	0.6094	39/64	55165-06094
TZZ-6250	0.6250	5/ 8	55165-06250
TZZ-6406	0.6406	41/64	55165-06406
TZZ-6563	0.6563	21/32	55165-06563
TZZ-6719	0.6719	43/64	55165-06719
TZZ-6875	0.6875	11/16	55165-06875
TZZ-7031	0.7031	45/64	55165-07031
TZZ-7188	0.7188	23/32	55165-07188
TZZ-7344	0.7344	47/64	55165-07344
TZZ-7500	0.7500	3/ 4	55165-07500
TZZ-7656	0.7656	49/64	55165-07656
TZZ-7813	0.7813	25/32	55165-07813
TZZ-7969	0.7969	51/64	55165-07969
TZZ-8125	0.8125	13/16	55165-08125
TZZ-8281	0.8281	53/64	55165-08281
TZZ-8438	0.8438	27/32	55165-08438
TZZ-8594	0.8594	55/64	55165-08594
TZZ-8750	0.8750	7/ 8	55165-08750
TZZ-8906	0.8906	57/64	55165-08906
TZZ-9063	0.9063	29/32	55165-09063
TZZ-9219	0.9219	59/64	55165-09219
TZZ-9375	0.9375	15/16	55165-09375
TZZ-9531	0.9531	61/64	55165-09531
TZZ-9688	0.9688	31/32	55165-09688
TZZ-9844	0.9844	63/64	55165-09844
TZZ-9999	1.0000	1	55165-09999



Elaire Corporation Collets are
100% compatible with all
Type Z Double Taper Series collets.

All parts are made in the USA

Type ZZ Double Taper Collets

Metric Sizes

Elaire Part#	Hole Size (mm)	Universal TSD #
TZZ-2362	6.0	55165-02362
TZZ-2559	6.5	55165-02559
TZZ-2756	7.0	55165-02756
TZZ-2953	7.5	55165-02953
TZZ-3150	8.0	55165-03150
TZZ-3346	8.5	55165-03346
TZZ-3543	9.0	55165-03543
TZZ-3740	9.5	55165-03740
TZZ-3937	10.0	55165-03937
TZZ-4134	10.5	55165-04134
TZZ-4331	11.0	55165-04331
TZZ-4528	11.5	55165-04528
TZZ-4724	12.0	55165-04724
TZZ-4921	12.5	55165-04921
TZZ-5118	13.0	55165-05118
TZZ-5315	13.5	55165-05315
TZZ-5512	14.0	55165-05512
TZZ-5709	14.5	55165-05709
TZZ-5906	15.0	55165-05906
TZZ-6102	15.5	55165-06102
TZZ-6299	16.0	55165-06299
TZZ-6496	16.5	55165-06496
TZZ-6693	17.0	55165-06693
TZZ-6890	17.5	55165-06890
TZZ-7087	18.0	55165-07087
TZZ-7283	18.5	55165-07283
TZZ-7480	19.0	55165-07480
TZZ-7677	19.5	55165-07677
TZZ-7874	20.0	55165-07874
TZZ-8071	20.5	55165-08071
TZZ-8268	21.0	55165-08268
TZZ-8465	21.5	55165-08465
TZZ-8661	22.0	55165-08661
TZZ-8858	22.5	55165-08858
TZZ-9055	23.0	55165-09055
TZZ-9252	23.5	55165-09252
TZZ-9449	24.0	55165-09449
TZZ-9646	24.5	55165-09646
TZZ-9843	25.0	55165-09843
TZZ-10039	25.5	55165-10039

Air Tool Caps and Nose pieces

300 Series DA Collet Nose piece & Cap

Elaire Corporation DA Nose pieces are 100%
Compatible with Dotco 1053

Elaire Part Number = VCN-300



Elaire Corporation DA caps are 100%
Compatible with Dotco 1058

Elaire Part Number = VCC-300



200 Series DA Collet Cap

Elaire Corporation DA caps are 100%
Compatible with Dotco 2058

Elaire Part Number = VCC-200



Obsolete, Custom and other Types of Collets

Elaire Corporation is fully capable of making all custom collets requirements. All equipment is state of the art and combined with our experience in work holding, we are the one stop shop for custom collets. We specialize in obsolete and hard to find collets. In most cases we can even reconstruct broken collets and create new parts.

Process

- Please give us a call or email for inquiries.
- We have one requirement; a print of the part or a sample part. The quickest turnaround results from a sample part. The engineering team can reproduce any part and provide the necessary assistance to get your team back in production.
- The parts are shipped to the customer and verified in operation. Any issue can be directly addressed by our engineers.
- Our goal is 100% customer satisfaction.

Phone: 419-843-2192

Fax: 419-843-8536

Shipping and Mailing Address

The Elaire Corporation

7944 West Central Ave.

Suite 10

Toledo, OH 43617 – USA

Email: sales@elairecorp.com

Web: www.elairecorp.com